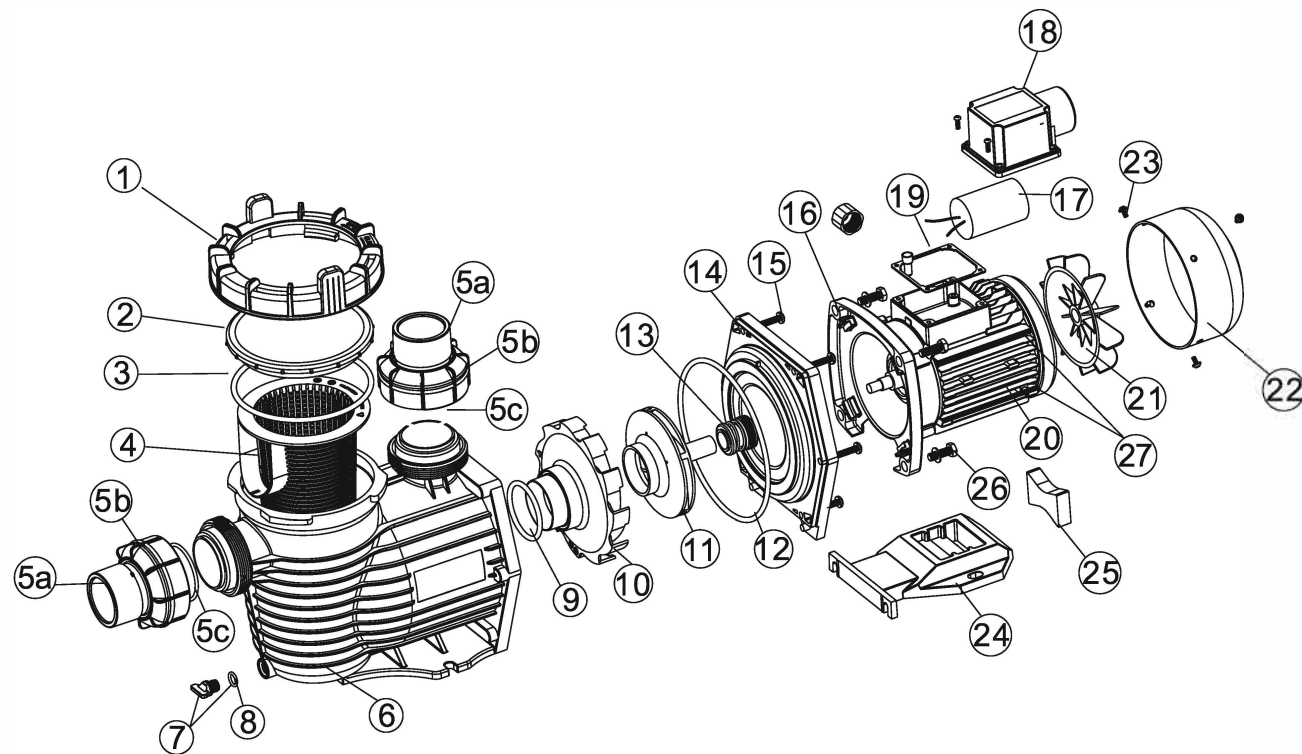


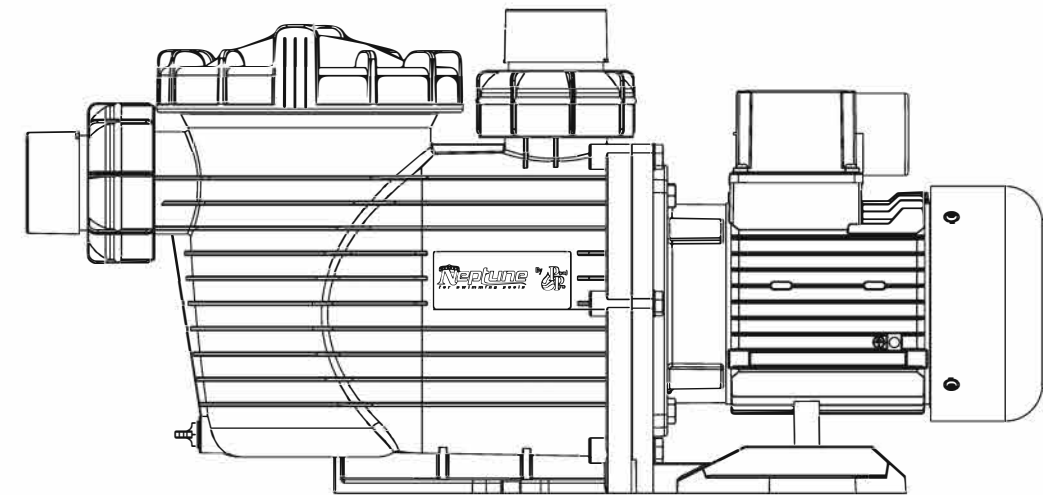
PUMP PARTS FOR NPP



Key #	Part	Part No.	Key #	Part	Part No.
1,2,3	Lid Assembly	NPP01	17	Capacitor 20uf NPP550	NPP23
1	Lid Lock Ring	NPP02		Capacitor 25uf NPP750	NPP24
2	Lid Clear Top	NPP04		Capacitor 30uf NPP1100 & NPP1500	NPP25
3	Lid O-Ring	OR920	18	Capacitor Cover	NPP26
4	Basket	SBN1	19	Capacitor Cover Gasket	NPP27
5a,b,c	Half Union Assembly	NPP05	20	Motor NPP550	NPP28
5a	Union Sleeve	NPP06		Motor NPP750	NPP29
5b	Union Nut	NPP07		Motor NPP1100	NPP30
5c	Union O-Ring (2pk)	OR921		Motor NPP1500	NPP31
6	Wet End	NPP09	21,22,23	Fan Kit	NPP42
7	Drain Plug & O-Ring	NPP10	21	Fan	NPP32
8	Drain Plug O-Ring (5pk)	OR922	22	Fan Cover	NPP33
9,12,13	Seal Kit	NPP41	23	Fan Cover Screws (4pk)	NPP34
9	Diffuser O-Ring (4pk)	OR923	24	Motor Base	NPP35
10	Diffuser	NPP13	25	Motor Base Adaptor	NPP36
11	Impeller NPP550	NPP14	26	Motor Bolts (4pk)	NPP37
	Impeller NPP750	NPP15	27	Thru Bolts (4pk)	NPP39
	Impeller NPP1100	NPP16	Not Shown	Bearing Set (2pk)	NPP38
	Impeller NPP1500	NPP17	Not Shown	Capacitor Wire Splice Terminal	NPP40
12	Backplate O-Ring	OR924	Not Shown	Front Shaft Rubber Washer (4pk)	NPP43
13	Mechanical Seal	MC16	Not Shown	Rear Bearing Wear Washer (4pk)	NPP44
14	Back Plate	NPP20	Not Shown	Rear Shaft Rubber Washer (4pk)	NPP45
15	Back Plate Bolts (6pk)	NPP21	Not Shown	Fan Circlip (4pk)	NPP46
16	Drive Endshield	NPP22			

www.poolpro.com.au

NPP Series Pump Installation & Operating Instructions



INSTALLATION

Only qualified, licensed personnel should install pump and wiring.

IMPORTANT ELECTRICAL

Electrical Contractors Please Note: Pumps must be wired to the main power supply through an approved and correctly rated contractor.

Pump Mount Must:

- ❖ Be solid, level, rigid, and vibration free.
- ❖ Allow use of short, direct suction pipe. (To reduce friction losses & do not install pump at more than 3m geometrical height from water level).
- ❖ Allow for gate valves in suction and discharge piping.
- ❖ Have adequate floor drainage to prevent flooding.
- ❖ Be protected from excess moisture.
- ❖ All the adequate access for servicing pump and piping.

NOTICE:

Pump suction and discharge connections have moulded in thread stops, DO NOT try to screw pipe in beyond these stops.

www.poolpro.com.au

OPERATION



- ▲ **NEVER** run pump dry! Running pump dry may damage seals, causing leakage and flooding! Fill pump with water before starting motor.
- ▲ Before removing lid:
STOP PUMP.
CLOSE GATE VALVES in suction and discharge pipes.
RELEASE ALL PRESSURE from pump and piping system.
NEVER tighten or loosen screws while pump is operation.
- ▲ Do not block pump suction! To do so with body may cause severe or fatal injury. Children using pool must **ALWAYS** have close adult supervision!

Priming Pump:

- ❖ Release all air from filter and piping system: see filter owner manual.
- ❖ In a flooded suction system (water source higher than pump), pump will prime itself when suction and discharge valves are opened.
- ❖ If pump is not in a flooded suction system, unscrew and remove pump lid; fill pump body with water.
- ❖ Clean and inspect O'Ring; re-install on pump lid.
- ❖ Replace pump lid on pump body; turn clockwise to tighten cover.

NOTICE: Tighten trap cover by hand only.

Pump should prime now. Priming time will depend on vertical length of suction lift and horizontal length of suction piping.

Routine Maintenance

The only routine maintenance needed is inspection/cleaning of trap basket. Debris or trash that collects in basket, will choke off water flow through the pump. Follow instructions below to clean trap:

1. Stop pump, close gate valve in suction and discharge, and release all pressure from system before proceeding.
2. Unscrew pump lid (turn counterclockwise).
3. Remove strainer basket and clean. Be sure all holes in basket are clear, flush basket with water and replace in trap with large opening at pipe connection port (between ribs provided). If basket is replaced backwards cover will not fit on pump body.
4. Clean and inspect lid O'Ring; reinstall on pump lid.
5. Clean O'Ring groove on trap body and Replace lid. To help keep lid from sticking, tighten hand tight only.
6. Prime pump (see priming instructions above)

SERVICE & REPAIR PARTS

Refer all service to your local agent or dealer as his knowledge of your equipment makes him the best qualified source of information. Order all repair parts through your dealer. Give the following information when ordering repair parts:

1. Unit nameplate data or serial number on label.
2. Description of part.

TROUBLE SHOOTING

MOTOR DOES NOT START

1. Disconnect switch or circuit breaker in off position
2. Fuses blown or thermal overload open
3. Locked motor shaft
4. Motor windings burned out
5. Defective starting switch inside single phase motor
6. Disconnected or defective wiring
7. Low voltage

PUMP DOES NOT REACH FULL SPEED

1. Low voltage
2. Pump connected for wrong voltage

MOTOR OVERHEATS (protector trips)

1. Low voltage
2. Motor windings connected for wrong voltage on dual voltage model
3. Inadequate ventilation

PUMP DELIVERS NO WATER

1. Pump is not primed
2. Closed valve in suction or discharge line
3. Leakage or air into suction system
4. Impeller clogged

LEAKAGE OF WATER AT SHAFT

1. Shaft seal requires replacement

LOW PUMP CAPACITY

1. Valve in suction or discharge line partly closed
2. Suction or discharge line partly plugged
3. Suction or discharge line too small
4. Clogged basket in skimmer or hair and lint strainer
5. Dirty filter
6. Impeller clogged

HIGH PUMP PRESSURE

1. Discharge valve or inlet fittings closed too much
2. Return lines too small
3. Dirty filters

NOISY PUMP AND MOTOR

1. Clogged basket in skimmer or hair in lint strainer
2. Worn motor bearings
3. Valve in suction line partly closed
4. Suction line partly clogged
5. Vacuum hose clogged or too small
6. Pump not supported properly

AIR BUBBLES AT INLET FITTINGS

1. Leakage of air into suction line at connections or valve stem
2. Cover gasket of hair and lint strainer needs cleaning
3. Low water level in pool

NOTE: If the recommendations in the trouble shooting portion of this manual do not solve your particular problem(s), please contact your local dealer for service.